

EN

# Atlas RPH-R 630 - 1050

## Planning data

---

## Contents

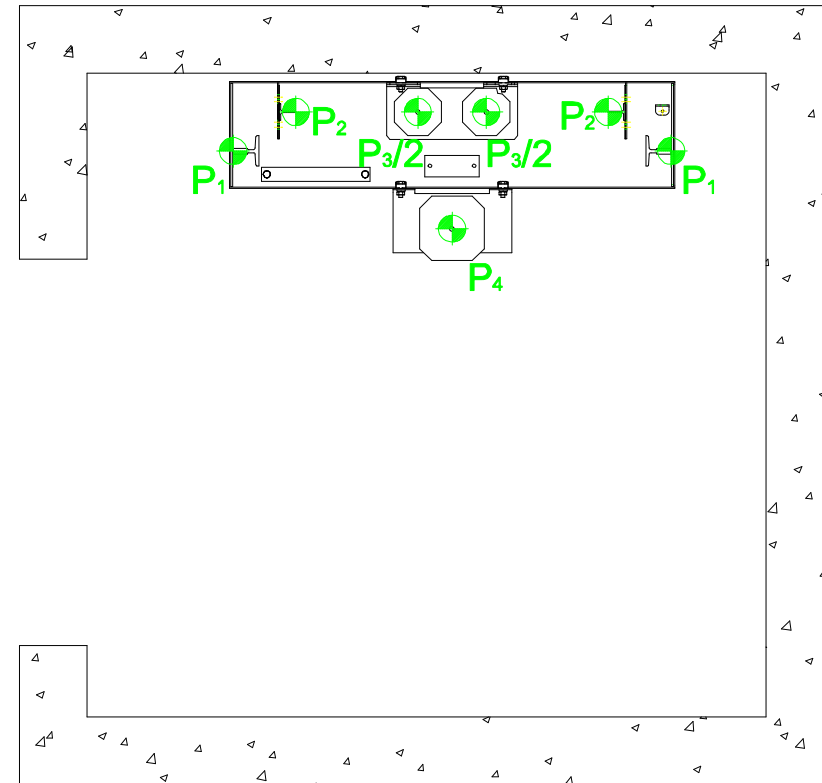
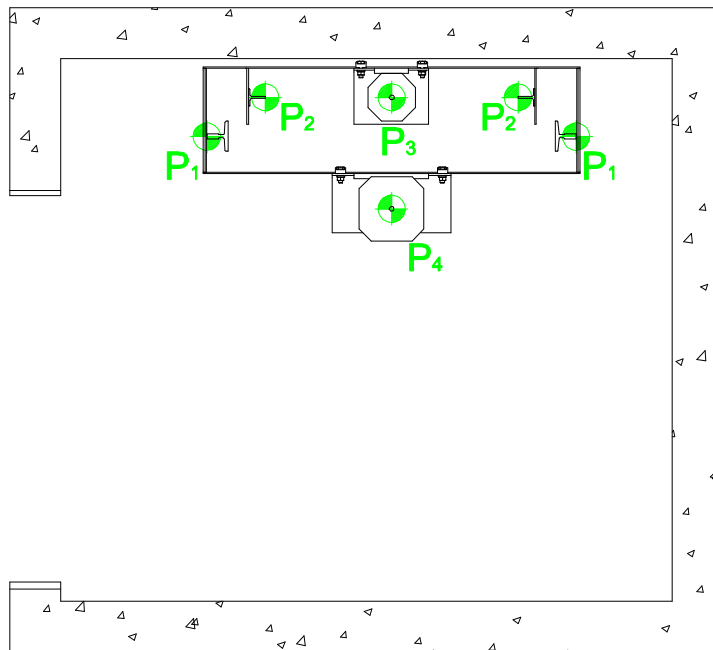
<b>General technical specifications</b> .....	3
<b>1. Forces on shaft</b> .....	4
1.1 Forces on pit floor .....	4
1.2 Forces on the wall anchors.....	5
<b>2. Plan views</b> .....	6
2.1 630 kg / 8 persons .....	6
2.2 675 kg / 9 persons .....	7
2.3 825 kg / 11 persons .....	8
2.4 1050 kg / 14 persons .....	9
2.5 1050 kg / 14 persons .....	10
<b>3. Shaft dimensions</b> .....	11

## General technical specifications

Rated load (kg)			630	675	675-825	1050	
Passengers			8	9	9-11	14	
Suspension			2:1				
max Travel (m)			40*				
			(for 825 kg and KLEEMANN GX max travel 20 m)				
max Speed (m/s)			1m/s				
max Number of entrances			3				
max Empty cabin weight P (kg)			1060	950	1060	1200	1000-cwt Sg
min Pit (mm)	EN 81.20	v ≤ 1.0 m/s	970				
	EN 81.21 (pit)	v ≤ 1.0 m/s	320		350	370	
min Headroom <i>for Internal Cabin Height = 2100mm (mm)</i>	EN 81.20	v ≤ 1.0 m/s	3400				
	EN 81.21 (hd)	v ≤ 1.0 m/s	2600				
Car frame			RPH-R 630		RPH-R 825	RPH-R 1050	
Guide rails (car / cwt)			T89x62x16 / T50x50x5 (opt. or cwt Sg T75x62x10)			T90x75x16 / T50x50x5 (opt. or cwt Sg T75x62x10)	
max Brackets distance (mm)			1500			1350	1500-cwt Sg
Ropes			DRAKO 250T Ø6.5				
Number of ropes			6-7 x Ø6.5		8 x Ø6.5	9-10 x Ø6.5	
Machine manufacturer			ZIEHL ABEGG				
Machine type / Machine power		v ≤ 1.0 m/s	SM 190.15 5kW		SM 190.23 7.6kW	SM 190.23 7.6kW	SM 200.30 9.6kW
Current (nominal / starting) A		v ≤ 1.0 m/s	14.3 / 26.6	14.3 / 25.7	21 / 25.4	21 / 33.1	24.5 / 31.8
Machine manufacturer			KLEEMANN GX				
Machine type / Machine power		v ≤ 1.0 m/s	GX15145BF 5.1 kW GX22145BF 6 kW		GX22145BF 6 kW	GX30145BF 8.2 kW	
Current (nominal / starting) A		v ≤ 1.0 m/s	12.3 / 17.73 14.4 / 18.55	12.3 / 17.95 14.4 / 19.72	14.4 / 21.4	20.7 / 29.56	
Controller			Lisa / Ucontrol / Genius 20				

## 1. Forces on shaft

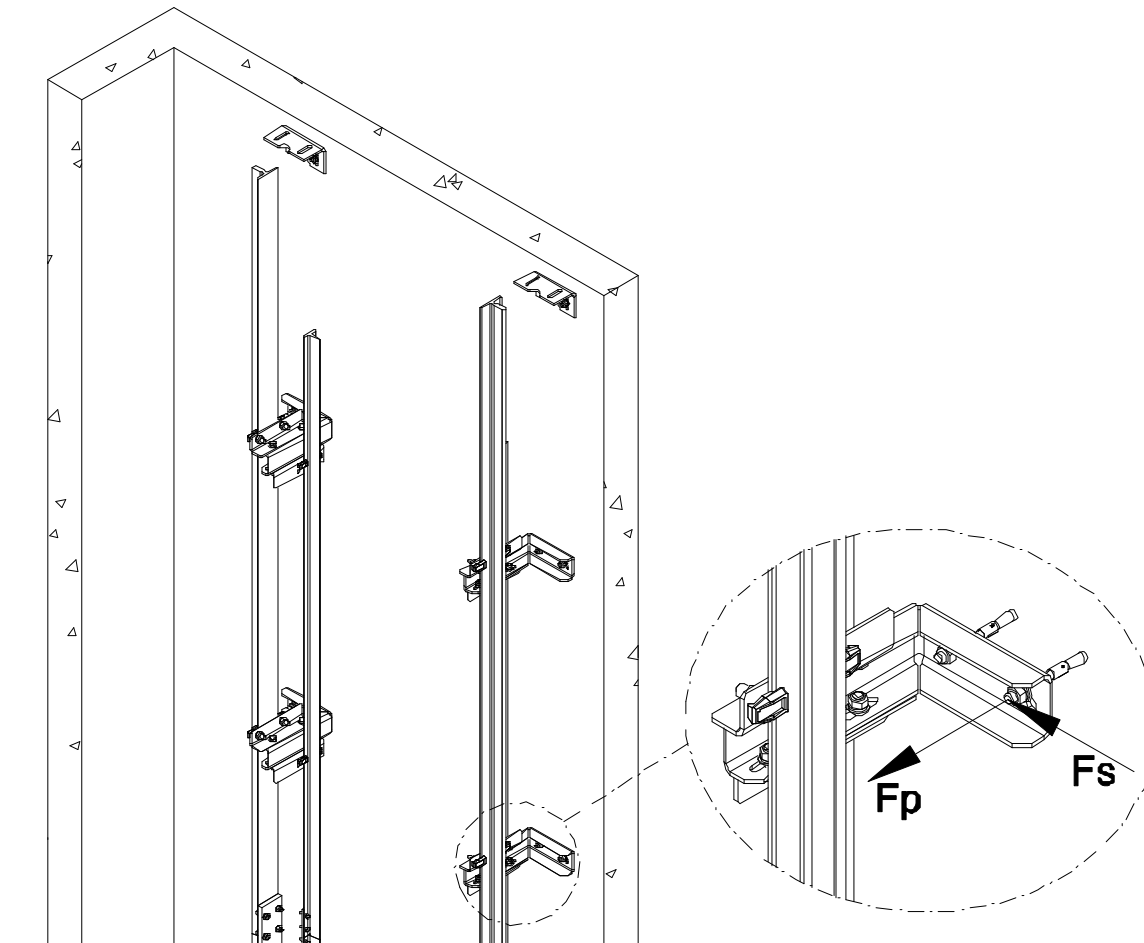
### 1.1 Forces on pit floor



Rated load (kg)	630	675	825	1050	Notes
P1 [kN]	17	17.5	18.5	22	
P2 [kN]	12	12	12	12	
*P2 [kN]	13.5	14	14.5	17	*Only with cwt safety gear
P3 [kN]	56	56.5	59.5	68	
P4 [kN]	68	70	74	88.5	

All dimensions are in mm. Shaft tolerances  $\pm 20$ mm. If safety gear is used on the counterweight the shaft tolerances change to  $0/\pm 20$ . Subject to changes without prior notice.  
For special cases contact KLEEMANN Sales Department.

## 1.2 Forces on the wall anchors



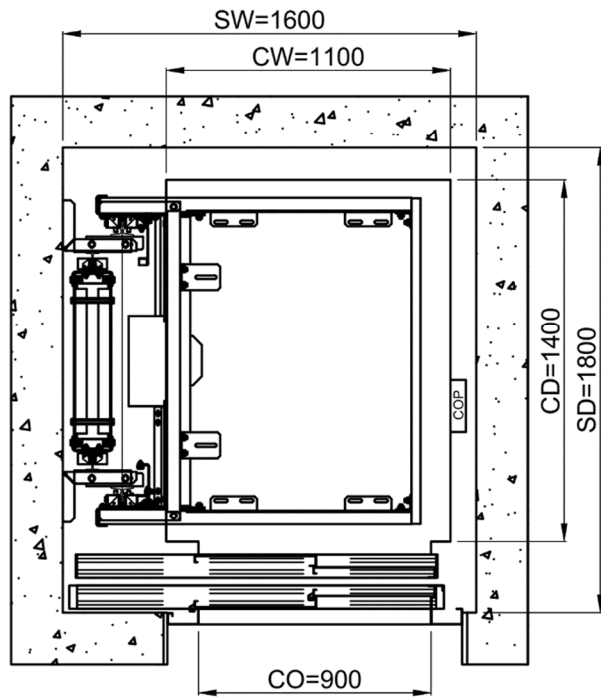
Rated load (kg)		630	675	825	1050
<b>F<sub>p</sub> [kN]</b>	<b>Pull out force on one anchor</b>	6.1	6.8	7.8	10.6
<b>F<sub>s</sub> [kN]</b>	<b>Shear force on one anchor</b>	0.7	0.8	0.9	1.6

All dimensions are in mm. Shaft tolerances  $\pm 20$ mm. If safety gear is used on the counterweight the shaft tolerances change to  $0/\pm 20$ . Subject to changes without prior notice.  
For special cases contact KLEEMANN Sales Department.

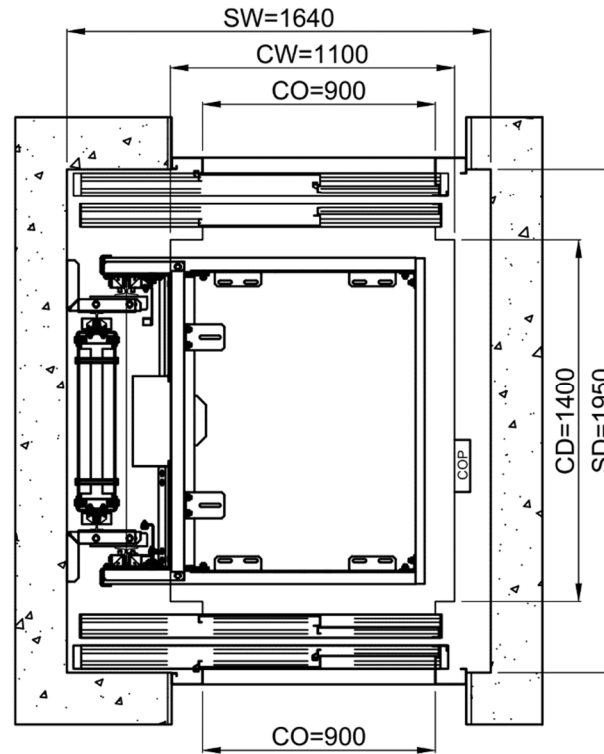
## 2. Plan views

### 2.1 630 kg / 8 persons

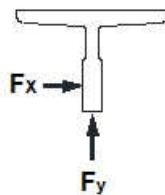
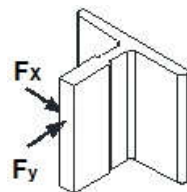
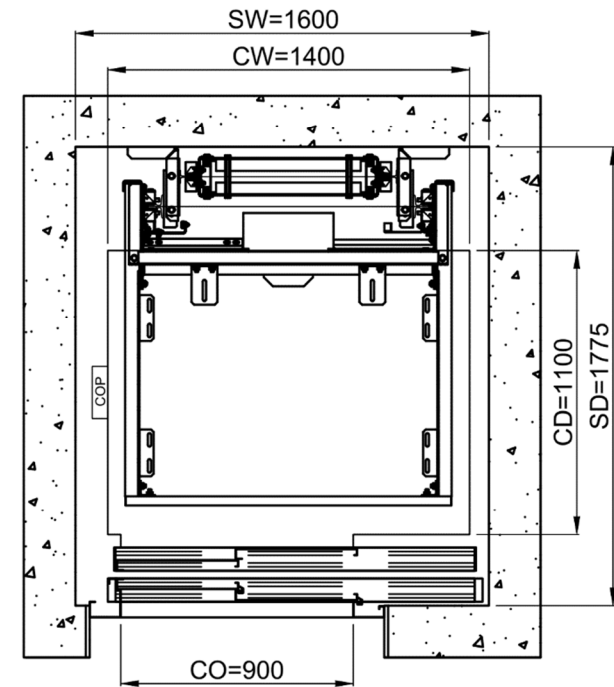
Available car area 1100x1400



Available car area 1100x1400



Available car area 1400x1100

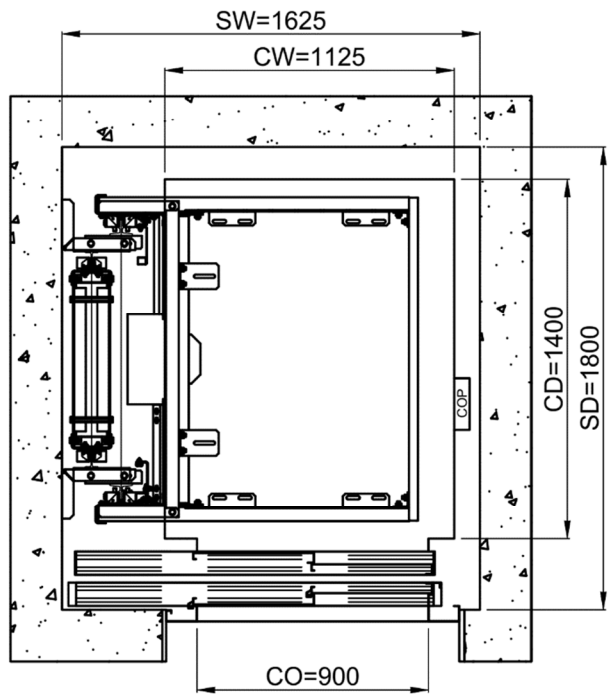


$F_x$	5.9 kN
$F_y$	1.4 kN

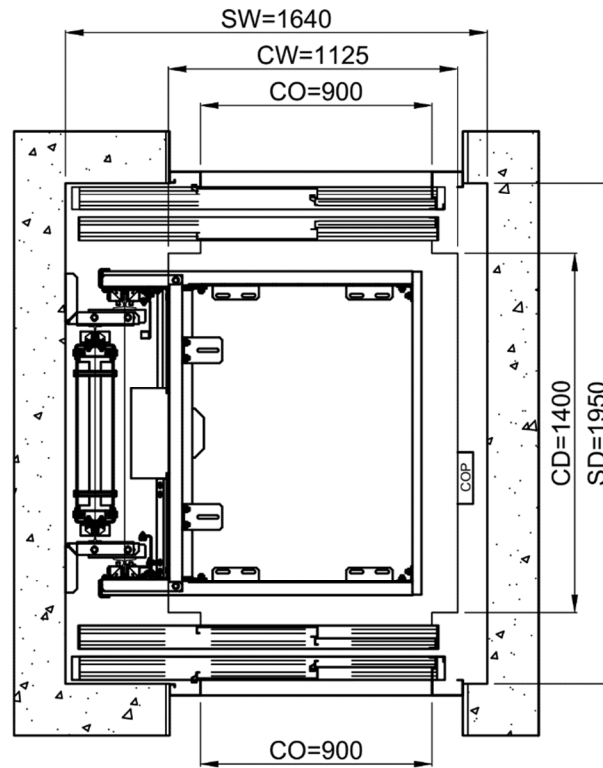
All dimensions are in mm. Shaft tolerances  $\pm 20$ mm. If safety gear is used on the counterweight the shaft tolerances change to  $0/\pm 20$ . Subject to changes without prior notice.  
For special cases contact KLEEMANN Sales Department.

2.2 675 kg / 9 persons

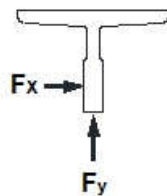
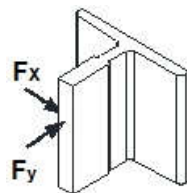
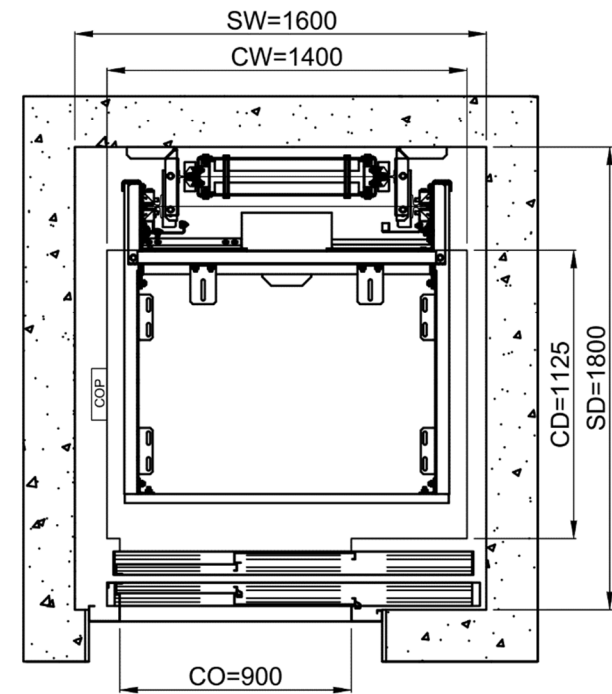
Available car area 1125x1400



Available car area 1125x1400



Available car area 1400x1125

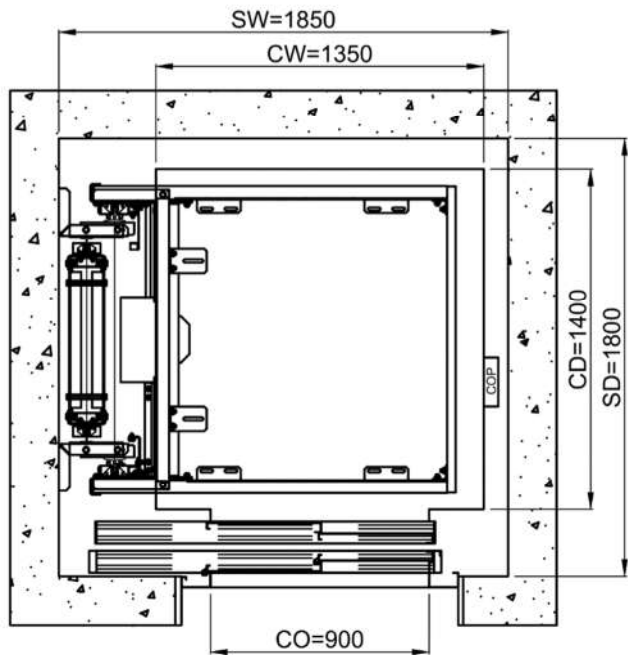


$F_x$	6.2 kN
$F_y$	1.5 kN

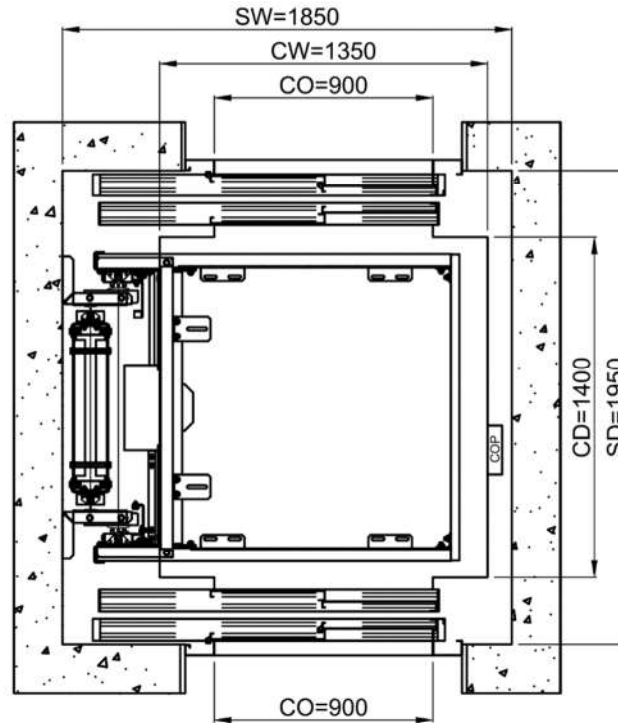
All dimensions are in mm. Shaft tolerances  $\pm 20$ mm. If safety gear is used on the counterweight the shaft tolerances change to  $0/\pm 20$ . Subject to changes without prior notice.  
For special cases contact KLEEMANN Sales Department.

2.3 825 kg / 11 persons

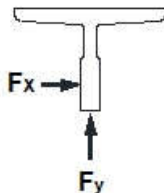
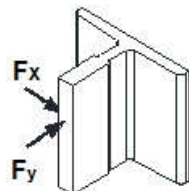
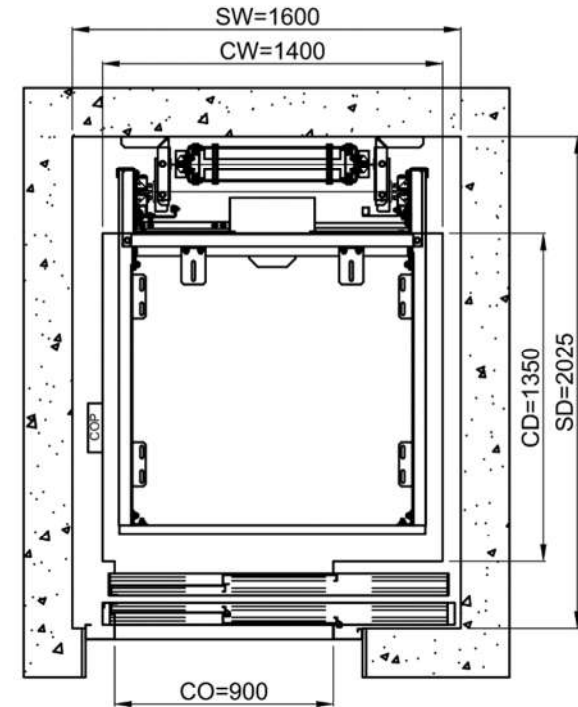
Available car area 1350x1400



Available car area 1350x1400



Available car area 1400x1350



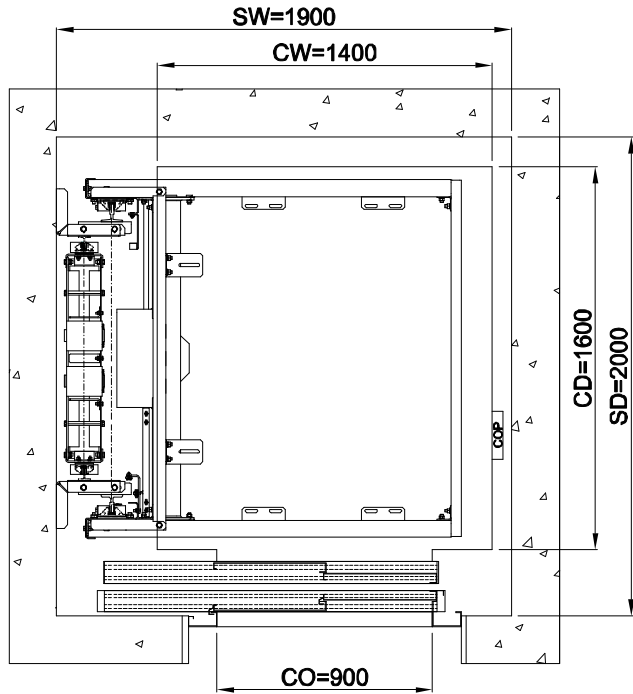
$F_x$	7.6 kN
$F_y$	1.8 kN

All dimensions are in mm. Shaft tolerances  $\pm 20$ mm. If safety gear is used on the counterweight the shaft tolerances change to  $0/\pm 20$ . Subject to changes without prior notice.  
For special cases contact KLEEMANN Sales Department.

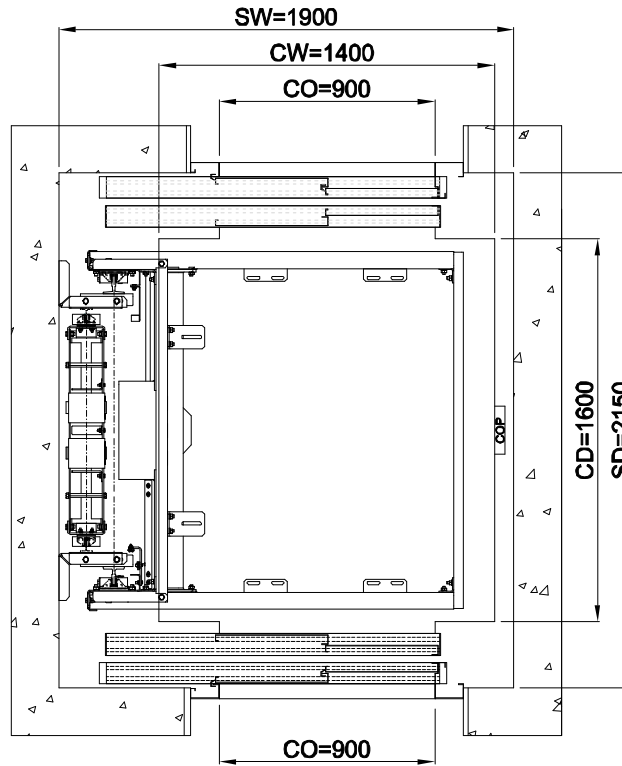


2.4 1050 kg / 14 persons

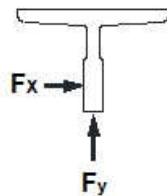
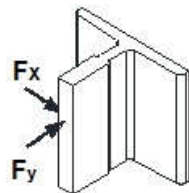
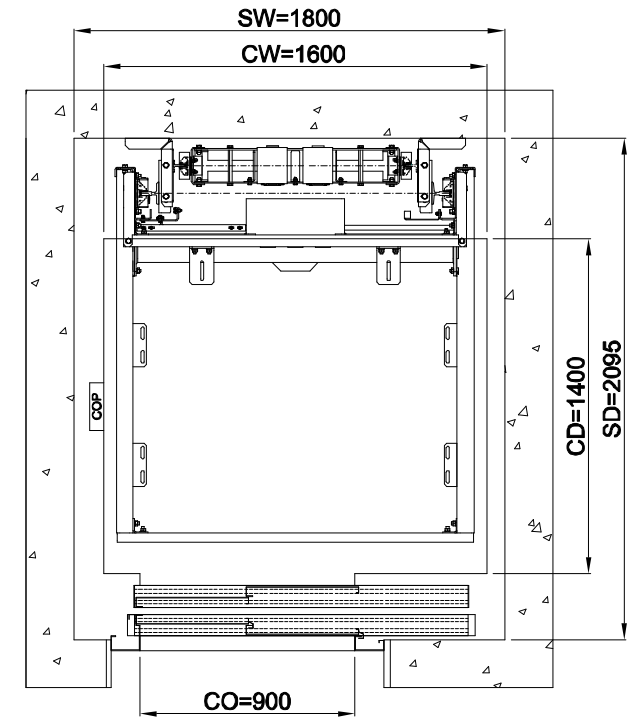
Available car area 1400x1600



Available car area 1400x1600



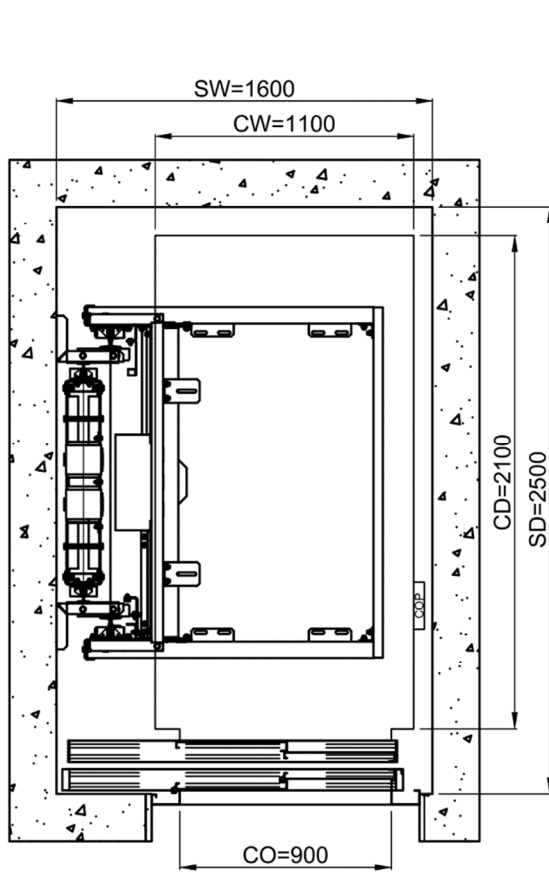
Available car area 1600x1400



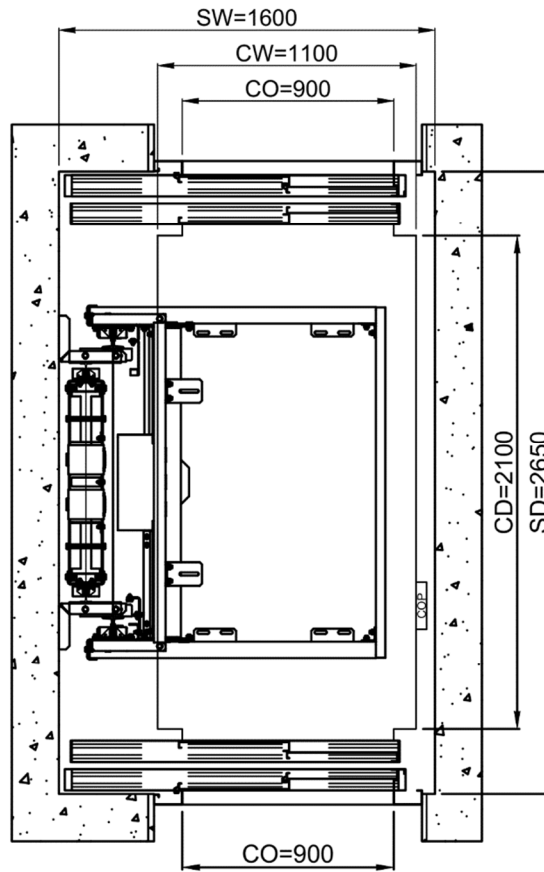
$F_x$	8.5 kN
$F_y$	2.5 kN

All dimensions are in mm. Shaft tolerances  $\pm 20$ mm. If safety gear is used on the counterweight the shaft tolerances change to  $0/\pm 20$ . Subject to changes without prior notice.  
For special cases contact KLEEMANN Sales Department.

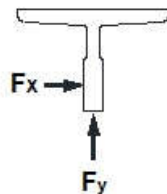
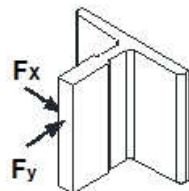
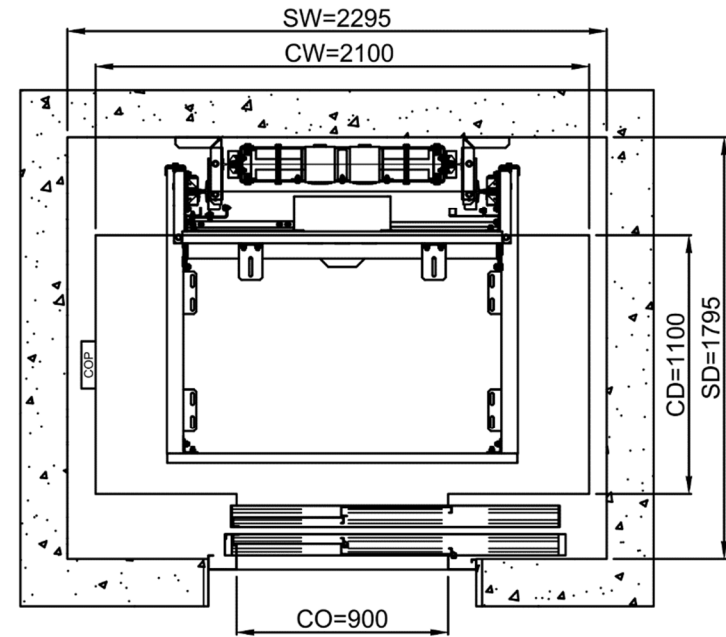
Available car area 1100x2100



Available car area 1100x2100



Available car area 2100x1100



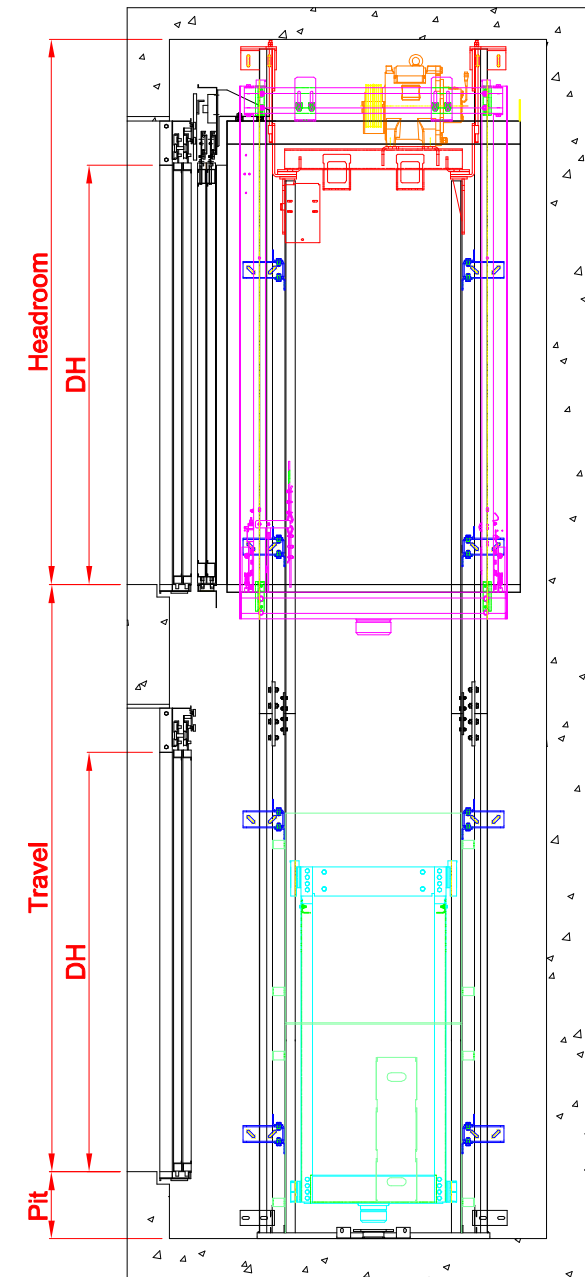
$F_x$	7.2 kN
$F_y$	3.1 kN

All dimensions are in mm. Shaft tolerances  $\pm 20$ mm. If safety gear is used on the counterweight the shaft tolerances change to  $0/\pm 20$ . Subject to changes without prior notice.  
For special cases contact KLEEMANN Sales Department.

### 3. Shaft dimensions

min Pit depth (mm)			
	EN 81.20	EN 81.21 (pit)	
$v \leq 1\text{m/s}$	970	320 ( $Q < 675$ )	350 ( $675 < Q \leq 825$ )
			370 ( $825 < Q \leq 1050$ )

External cabin height (mm)	max Internal cabin height (mm)	EN 81.20	EN 81.21 (headroom)
		min HD	min HD
2250 ( $Q \leq 630$ ) 2280 ( $Q > 630$ )	2100	3350	2600



All dimensions are in mm. Shaft tolerances  $\pm 20\text{mm}$ . If safety gear is used on the counterweight the shaft tolerances change to  $0/\pm 20$ . Subject to changes without prior notice.  
For special cases contact KLEEMANN Sales Department.